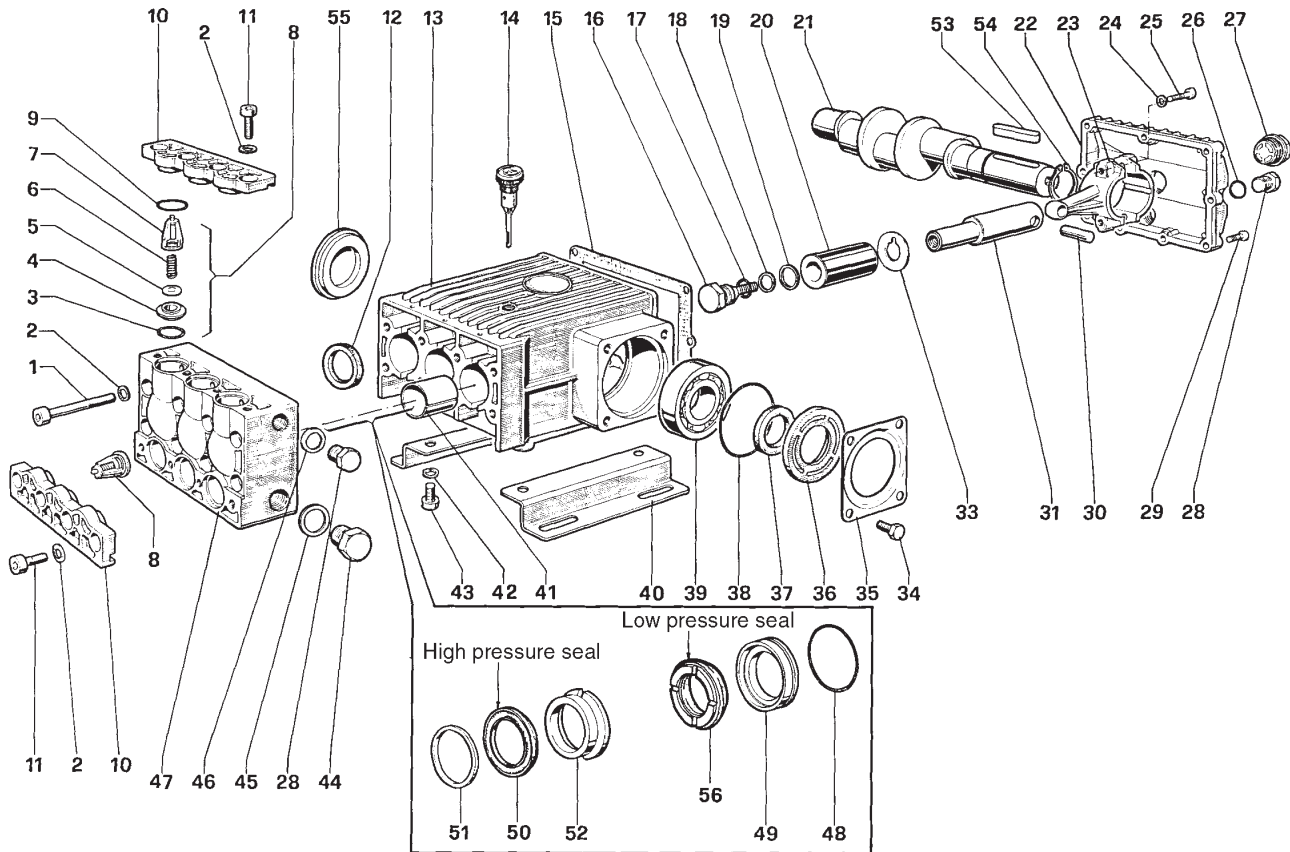


# T Series 69 – 36 mm bore

**GENERAL PUMP** *A member of the Interpump Group*



## PARTS LIST

ITEM PART NO.	DESCRIPTION	KIT NO.	QTY.	ITEM PART NO.	DESCRIPTION	KIT NO.	QTY.	ITEM PART NO.	DESCRIPTION	KIT NO.	QTY.	
1.	99.3787.00	Screw	8	19.	96.7555.00	Washer	74	38.	90.4131.00	O-Ring	2	
2.	96.7104.00	Washer	16	20.	69.0400.09	Plunger (36 mm)	3	39.	91.8480.00	Bearing	2	
3.	90.3859.00	O-Ring	62	21.	69.0205.35	Crankshaft	1	40.	47.2000.74	Feet	2	
4.	36.2017.66	Valve Seat	62	22.	69.1600.22	Cover	1	41.	90.9162.00	Bushing	3	
5.	36.2018.76	Valve Plate	62	23.	69.0300.01	Connecting Rod	3	42.	96.7106.00	Washer	4	
6.	94.7394.00	Spring	62	24.	96.7014.00	Washer	6	43.	99.3644.00	Screw	4	
7.	36.2008.51	Valve Guide	62	25.	99.3099.00	Screw	6	44.	98.2265.00	Cap	1	
8.	36.7060.01	Valve Assy.	62	26.	90.3833.00	O-Ring	1	45.	96.7700.00	Washer	1	
9.	90.4055.00	O-Ring	6	27.	97.5968.00	Oil Level Indicator	1	46.	96.7380.00	Washer	1	
10.	69.2180.22	Valve Cover	2	28.	98.2100.00	Cap	2	47.	69.1200.22	Pump Head	1	
11.	99.3669.00	Screw	8	29.	99.1867.00	Screw	9	48.	90.3855.00	O-Ring	39, 40	3
12.	90.1656.00	Oil Seal	37	30.	97.7398.00	Pin	3	49.	69.0802.70	Packing Retainer	39, 40	3
13.	69.0100.22	Crankcase	1	31.	69.0500.22	Plunger Guide	3	50.	90.2820.00	Packing	38, 39	3
14.	98.2106.00	Oil Dip Stick	1	33.	96.7565.00	Washer	3	51.	69.1002.93	Head Ring	39, 41	3
15.	69.2119.84	Cover Gasket	1	34.	99.3636.00	Screw	8	52.	69.2168.70	Intermediate Ring	39, 42	3
16.	69.2195.66	Plunger Screw	74	35.	68.1500.74	Cover	2	53.	91.4969.00	Key	1	
17.	90.3841.00	O-Ring	74	36.	69.2115.51	Spacer	1	54.	90.0695.00	Retaining Ring	1	
18.	90.5107.00	Anti-Ext. Ring	74	37.	90.1672.00	Oil Seal	32	55.	69.2116.51	Spacer	1	
								56.	90.2823.00	Seal, Low Press., 36mm	38, 39	3

## REPAIR KITS

KIT NO.	32	37	38	39	40	41	42	62	74
ITEM NO.s INCLUDED IN KIT	37	12	50, 56	48, 49, 50, 51, 52, 56	48, 49	51	52	3, 4, 5, 6, 7 (8)	16, 17, 18, 19
NUMBER OF ASSEMBLIES IN KIT	2	3	3	1	3	6	3	6	3
NUMBER OF CYLINDERS KIT WILL SERVICE	-	3	3	1	3	3	3	3	3

## TORQUE SPECS\*

Position	Ft.-lbs.
1	29.4
11	44.2
16	29.4
25	14.7
27	13.2
28	29.4
29	7.3
34	29.4
43	29.4
44	51.5